

EZ Connections to RCForb Client for Remote Operations

PTT, Key, Keyer, and Paddles

(Includes the New Mark 2 Design for Portable Ops)



By K5PA, Gene Hinkle

4/2/2022

K5PA Design Concepts

Contents

Introduction	3
Original EZ Connect Interface for RCForb Client	3
RCForb Client Settings	4
Original Schematic	5
EZ Connect Interface for RCForb Client – MK2	7
Introduction to Mark 2	7
Mark 2 Schematic	8
Mark 2 RCForb Client Settings Diagrams	8
Parts List Amazon Link and Descriptions	11
Parts List Item #1, USB to TTL Converter Module	11
Parts List Item #2, RCA Phone Jack	12
Parts List Item #3, 1/8 Inch TRS Phone Jack	13
Parts List Item #4, Mini USB Male Rt. Angle to USB-A	14
Parts List Item #5, Project Box	15

Tech Note - EZ Connections to RCForb PTT, Key, Keyer, Paddles - Mark2 (MK2)

Introduction

This USB/TTL breakout box that is very useful to access the control pins of the serial adapter when using programs like RCForb Client. My prior version dated 8/24/2022, was built into a small box with connectors and PTT switch added. This served me well while using on the ham radio desktop attached to my computer. I was able to operate Morse code using my iambic, dual paddle, straight key for SKCC events, and plain PTT for controlling the transmit/receive sequence of my radios. During 2022, I have been taking by radio to the field to operate POTA type activities but also while on vacations to operate my remote radios from afar. This current document keeps the original content of the interface box but adds a new section on the Mark 2 variant. This can be found at the end of the next section.

Original EZ Connect Interface for RCForb Client

What follows is the original content from the EZ breakout box interface giving RCForb Client settings options and the design for the breakout box.

Inside the box is just the USB/TTL circuit board with the wires connecting to the toggle switch, 1/8" jack, or phono plug. EZ and functional. Great for doing functional testing.



Figure 1. Original Breakout Box Interface

By assigning the **DSR / DCD / CTS** control pins to various connectors, you can use the breakout box to connect straight key, WinKeyer, PTT inputs, or Paddle Inputs. Very handy for quick access to the remote functions without needing a lot of adapter cables. The cable that is shown leaving the box is the USB2 connector to the computer.

1/8" TRS is connected to DSR=Dit, DCD=Dah

Phono Jack is connected to CTS=Key

PTT-Switch is connected to CTS =External PTT

RCForb Client Settings

The settings for the different functions in the RCForb Client are shown in the figures below.

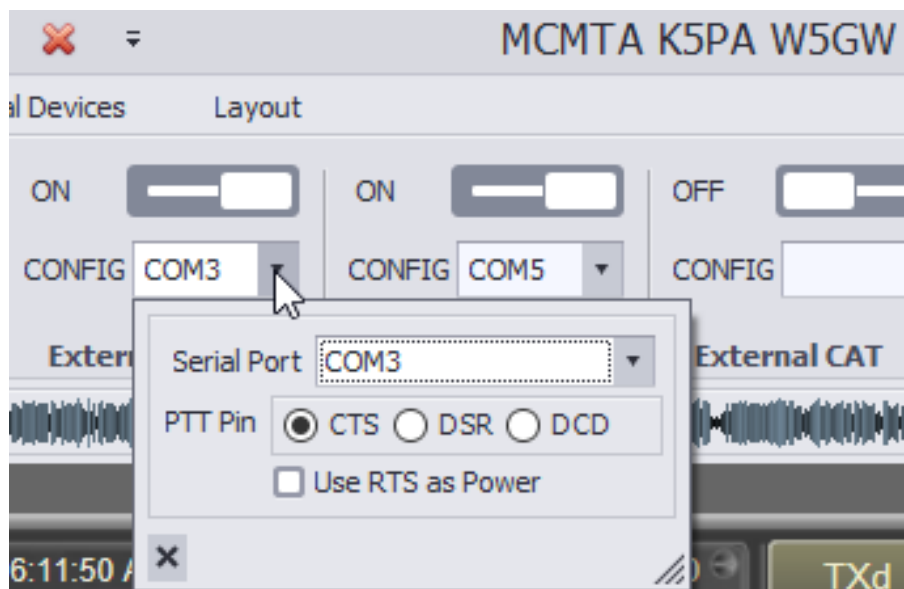


Figure 2. RCForb Client: **Control Devices** > **External PTT** settings

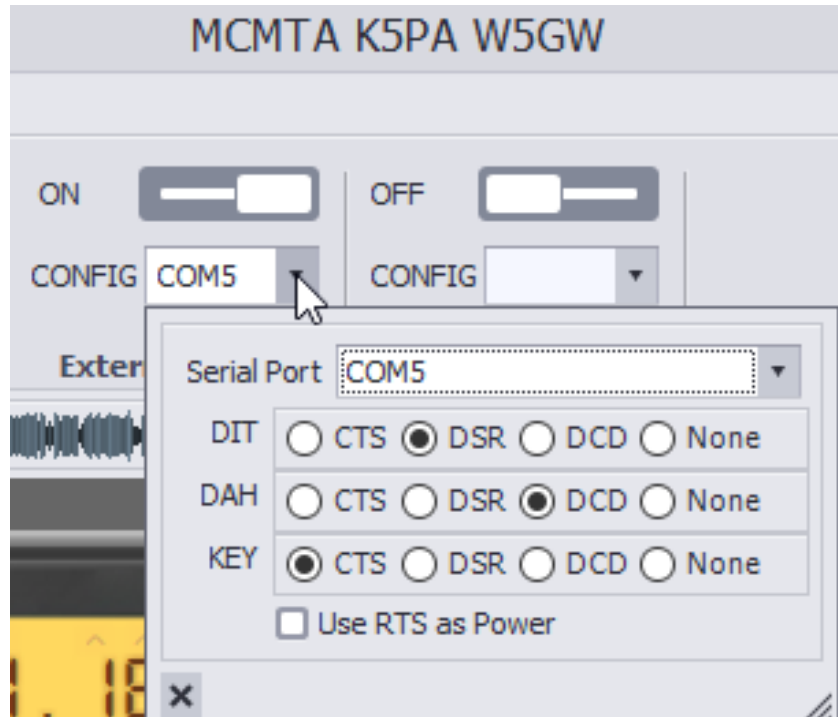


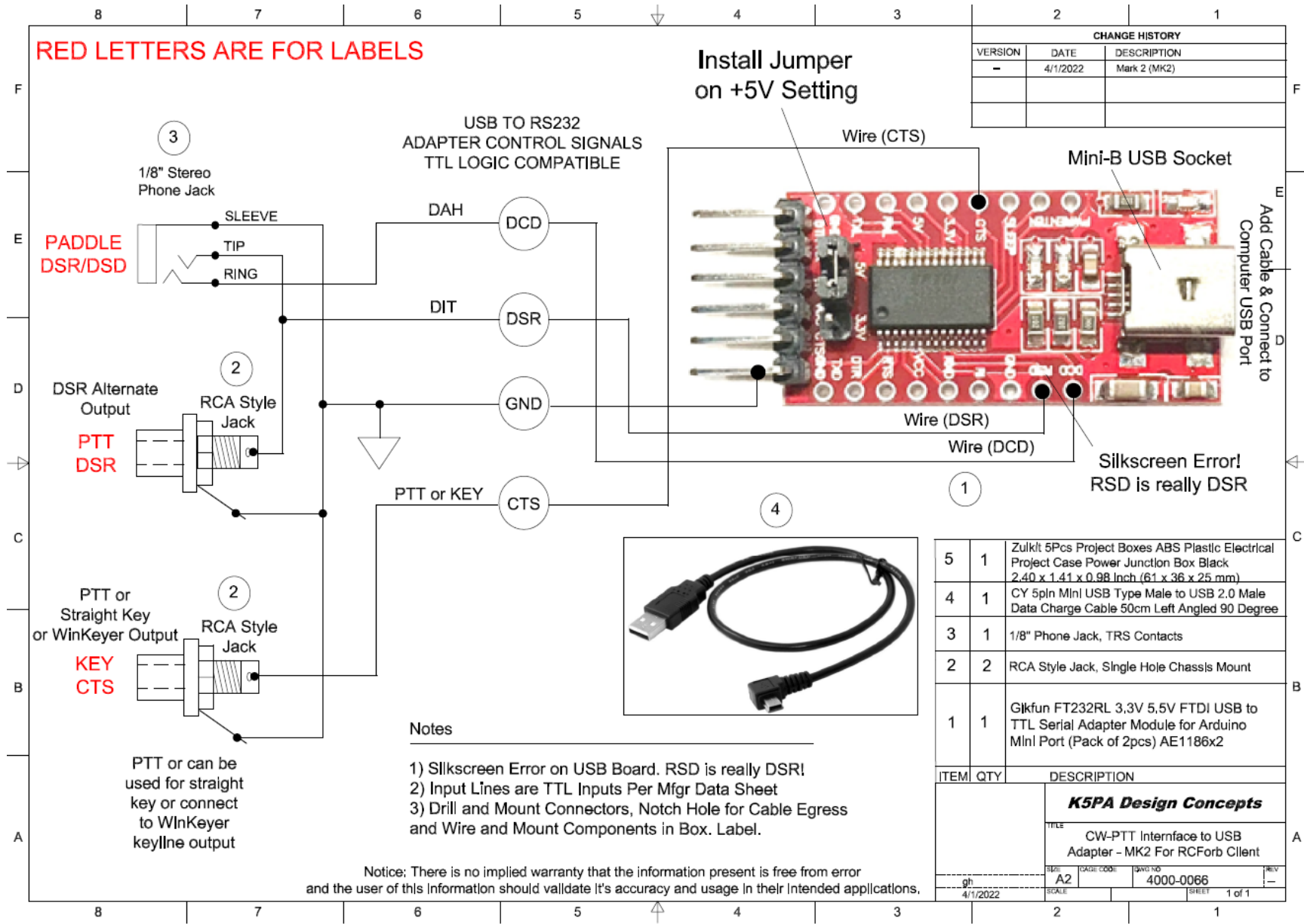
Figure 3. RCForb Client: **Control Devices** > **External CW** settings

Original Schematic

The schematic for the USB-TTL breakout box is shown on the next page. A small plastic box is used to mount the SPST switch for the PTT and the 1/8" TRS jack and RCA phono jack to the box.

A standard USB cable is used to connect the circuit board assembly (Mini-B USB Socket) to the computer.

Wiring is not critical but use precaution when soldering to the small circuit card assembly. Do not overheat soldering pads when attaching the fine wires and follow ESD guidelines to keep static away from the work area.



EZ Connect Interface for RCForb Client – MK2

Introduction to Mark 2

This section describes a similar interface but designed to be smaller and more versatile than the original. Most, if not all, components should be available from Amazon including the USB to TTL serial board, connectors, cables, and small enclosure. This project takes about 4 hours from mechanical assembly, wiring, setup, and test.

The design goal was mainly to provide a smaller interface box that could be taken in my *GO Kit* that would be rugged and not take up much space. Plus, it had to be versatile just like the original EZ Connect design. By using common connectors on the box (USB-A, RCA jacks, and 1/8" TRS phone jack) it is very easy to interface to a number of devices in the shack including computer, telegraph keys and paddles, and push-to-talk button switches. The length of the box is only 2-3/8 inches, tiny indeed.

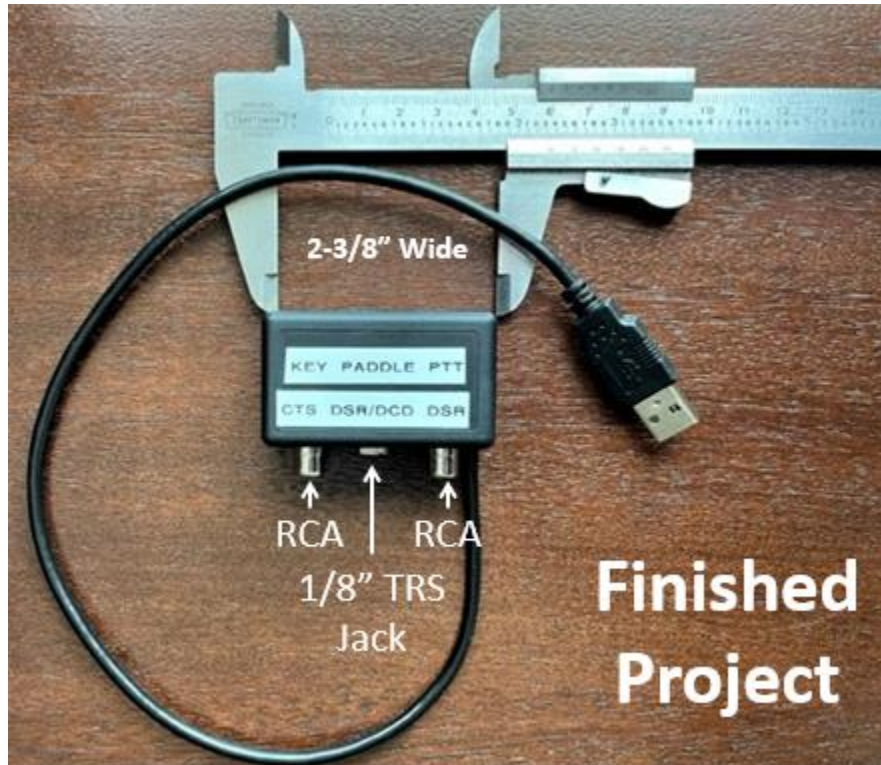


Figure 4 Photograph of the EZ Connect Interface – MK2

Mark 2 Schematic

The schematic diagram for Mark 2 is shown on the next page. It is very similar to the original with the addition the RCA phone jack to allow easy access to the DSR signal.

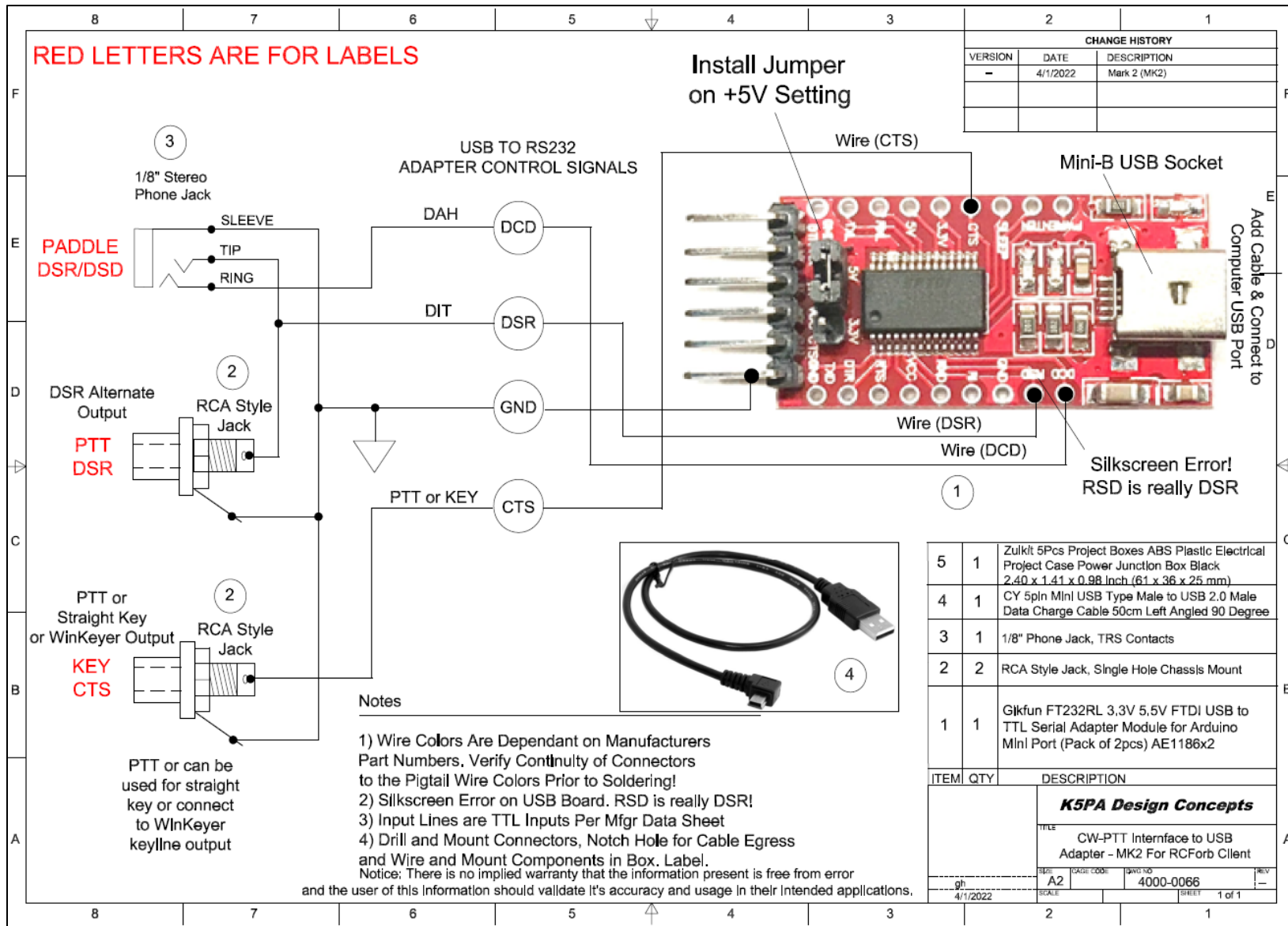
The material lists include the small box designation and the right angle Mini USB cable as listed on Amazon.

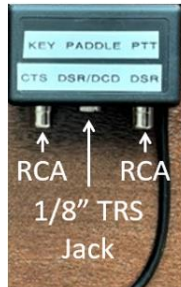
Mark 2 RCForb Client Settings Diagrams

After the schematic, a diagram is provided to ease the setup of the **External PTT** and **External CW** settings found in the RCForb Client. The goal was to provide simple setups for the 4 cases.

Table 1. Use Cases for Mark 2 Design

Use Case	Attributes
Push-to-Talk Switch	Hand or foot switch interfacing for CW/SSB/FM modes
Straight Key	Slow CW, SKCC, POTA activations
Twin Paddle (Iambic Key)	Home or field use, working DX, rag chew, no external keyer needed (RCForb Client has a keyer built-in)
WinKeyer	Use WinKeyer messages, easy speed control, familiar keyer interface





Push to Talk Switch

- SPST Switch Contacts (n.o.) to RCA plug connects to RCA Jack (DSR)
- Adjust COM ## to Appropriate USB COM Port for Your Interface



External PTT

External CW



Twin Paddle (Iambic) Key

- Paddle Contacts Connects to 1/8" TRS Plug Connects to DSR/DCD Input
- The Iambic Keyer is Built Into the RCForb Client Software Program!
- Adjust COM ## to Appropriate USB COM Port for Your Interface



External PTT

External CW



Straight Key

- Key's Contacts with RCA plugs Connects to CTS RCA Jack
- Adjust COM ## to Appropriate USB COM Port for Your Interface



External PTT

External CW



WinKeyer

- Uses WinKeyer's PTT1 & KEY1 Outputs
- **WinKeyer PTT1** RCA Plug Connects Into DSR RCA Input
- **WinKeyer KEY1** RCA Plug Connects Into CTS RCA Input
- Adjust COM ## to Appropriate USB COM Port for Your Interface



External PTT

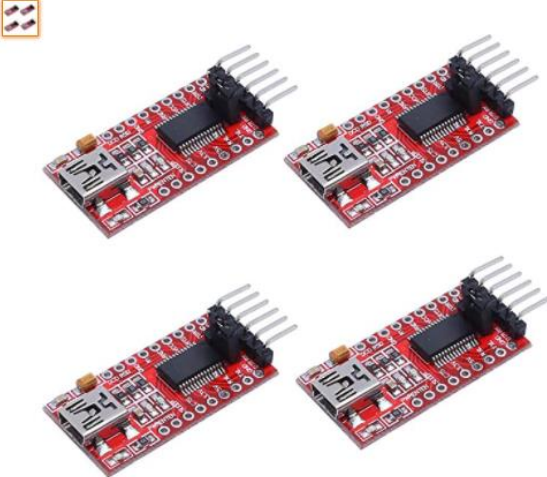
External CW

Parts List Amazon Link and Descriptions

Parts List Item #1, USB to TTL Converter Module

https://www.amazon.com/dp/B07XF2SLQ1?psc=1&ref=ppx_yo2_dt_b_product_details

Last purchased Feb 10, 2022. [View order](#) [Set reminder](#)




3.3V 5V FT232RL USB to TTL Serial Converter Adapter Module for Arduino 4 pcs
Brand: Songhe
★★★★☆ 152 ratings | 7 answered questions

\$11.88
prime One-Day & FREE Returns

Thank you for being a Prime member. Get a \$100 Gift Card: Pay \$0.00 upon approval for the Amazon Prime Rewards Visa Card. No annual fee.

[Compare with similar items](#)
 Report incorrect product information.



StarTech.com USB Crash Cart Adapter with File Transfer and Video Capture - Laptop to Server KVM Console - Portable & Rugged...
★★★★☆ 209
\$490.49 prime

Sponsored

Roll over image to zoom in

\$11.88
prime One-Day & FREE Returns

FREE delivery **Tomorrow, April 3.** Order within 7 hrs 15 mins

Deliver to F.E. - Leander 78641

In Stock.

Qty: 1

[Add to Cart](#)

[Buy Now](#)

Secure transaction

Ships from Amazon
Sold by Teyleten Robot-US

Return policy: Eligible for Return, Refund or Replacement within 30 days of receipt

Add a gift receipt for easy returns

[Add to List](#)

Share [Email](#) [Facebook](#) [Twitter](#) [Pinterest](#)

Parts List Item #2, RCA Phone Jack

https://www.amazon.com/RuiLing-Nickel-Plated-Chassis-Adapter/dp/B07QWWJWB1/ref=sr_1_3?crd=3PA600G17D6HZ&keywords=rca+phono+jack+panel+mount&qid=1648897569&srefix=rca+phono+jack%2Caps%2C75&sr=8-3



Roll over image to zoom in

RuiLing 20PCS Nickel Plated RCA Phono Chassis Panel Mount Female Socket Adapter (10PCS Black + 10PCS Red)

Visit the RuiLing Store

★★★★★ 60 ratings

Amazon's Choice for "rca phono jack panel mount"

\$8.59

prime Same-Day & FREE Returns

Thank you for being a Prime member. Get a \$100 Gift Card: Pay \$0.00 upon approval for the Amazon Prime Rewards Visa Card. No annual fee.

- Type: Small type RCA Female Outlet
- Product material: Zinc alloy nickel plating
- Product size: approx.23 x 17 x 8mm/0.9*0.67*0.31in
- Application: Audio & Video, Lighting
- Packages: 10 x Red RCA Female Connector + 10 x Black RCA Female Connector

Specifications for this item

Brand Name	RuiLing
Connector Type	RCA
Ean	0713871351910
Part Number	RCA-Female-20
UNSPSC Code	26121600
UPC	713871351910

\$8.59

prime Same-Day & FREE Returns

FREE delivery Today
5 PM - 10 PM if you spend \$25 on qualifying items. Order within 4 hrs 8 mins

Deliver to F.E. - Leander 78641

In Stock.

Qty: 1

Add to Cart

Buy Now

Secure transaction

Ships from Amazon
Sold by RuiLing

Return policy: Eligible for Return, Refund or Replacement within 30 days of receipt

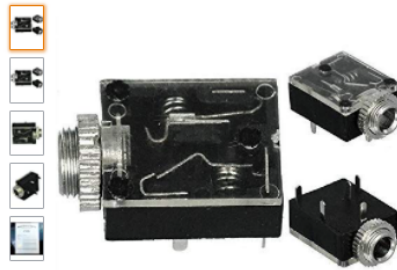
Add a gift receipt for easy returns

Add to List

Share

Parts List Item #3, 1/8 Inch TRS Phone Jack

https://www.amazon.com/CESS-Female-Stereo-Balanced-Socket/dp/B077D1NY4T/ref=sr_1_77?crd=2QGEH1F2KCR81&keywords=1%2F8+inch+trs+phone+jack&qid=1648899190&s=electronics&sprefix=%2Celectronics%2C61&sr=1-77



Click image to open expanded view

CESS 3.5mm 1/8 Inch Female Stereo TRS Balanced Socket with Switch - 3.5mm Stereo Socket (10 Pack)

Visit the CESS Store
 ★★★★★ 45 ratings
 Amazon's Choice for "1/8 jack"

\$6.92 (\$0.69 / Count)

prime One-Day & FREE Returns

Thank you for being a Prime member. Get a \$100 Gift Card: Pay \$0.00 upon approval for the Amazon Prime Rewards Visa Card. No annual fee.

Connector Type	Auxiliary
Cable Type	AUX
Compatible Devices	Personal Computer
Brand	CESS
Unit Count	10.0 Count

About this item

- Model: TRS (1-Tip/1-Ring/1-Sleeve), Stereo, 3 Pole, 3.5mm 1/8 inch female panel/chassis mount socket
- Soldering type: Use for microphone jack, earphone plug, Audio Video AV PC.
- Nickel plated for maximum signal transfer & durability; Material: Copper
- Package included 10 Pieces

Specifications for this item

Brand Name	CESS
Cable Type	AUX
Compatible Devices	Personal Computer
Connector Type	Auxiliary
Ean	0707018208915
Model Number	並行輸入品
Part Number	並行輸入品
Size	#319: 3.5mm Stereo Socket, 10-Pack

\$6.92 (\$0.69 / Count)
 prime One-Day & FREE Returns
 FREE delivery **Tomorrow, April 3**. Order within 10 hrs 11 mins
 Deliver to F.E. - Leander 78641
In Stock.
 Qty: 1
 Add to Cart
 Buy Now
 Secure transaction
 Ships from Amazon
 Sold by cessa4x4
 Return policy: Eligible for Return, Refund or Replacement within 30 days of receipt
 Add a gift receipt for easy returns
 Add to List

Share [Email] [Facebook] [Twitter] [Pinterest]


 All your cable needs
 50 Foot Canare (L-5.5CUHD) 12G... +90.73
 Sponsored

Parts List Item #4, Mini USB Male Rt. Angle to USB-A

https://www.amazon.com/dp/B07JZ952ZQ?psc=1&ref=ppx_yo2_dt_b_product_details

Last purchased Mar 30, 2022.
Color: Black Left 0.5m | [View order](#)

[Set reminder](#)



Roll over image to zoom in

CY 5pin Mini USB Type Male to USB 2.0 Male Data Charge Cable 50cm Left Angled 90 Degree

Visit the [chenyang Store](#)
★★★★☆ 40 ratings

\$6.99
prime One-Day & FREE Returns

Thank you for being a Prime member. Get a \$100 Gift Card: Pay \$0.00 upon approval for the Amazon Prime Rewards Visa Card. No annual fee.

Color: **Black Left 0.5m**

\$6.99 prime

\$6.99 prime

Connector Type	Usb, Usb 2.0
Cable Type	USB
Compatible Devices	Personal Computer
Color	Black Left 0.5m
Brand	Chenyang

About this item

- This USB 2.0 cable stands out due to its angled USB mini-B connector and is suitable for mobile devices e.g. HDD enclosure, digital cameras, mobile phones, navigation systems, mobile HDD etc.
- The higher cable gauge for power line and the twisted data lines ensures a safe connection between your devices and computer.
- The angled connector provides a stable hold inside the mini USB female port and can be used especially for ports which are difficult to access.
- Connection: USB 2.0-A male and USB mini-B 5pin male angled AWG 28 data line / AWG 28 power line
- Nickel-plated Cable length: ca. 50cm

\$6.99
prime One-Day & FREE Returns

FREE delivery **Tomorrow, April 3.** Order within **10 hrs 46 mins**

Deliver to F.E. - Leander 78641

In Stock.

Qty: 1

[Add to Cart](#)

[Buy Now](#)

Secure transaction


Ships from Amazon
Sold by [CHEN YANG](#)

Return policy: Eligible for Return, Refund or Replacement within 30 days of receipt

Add a gift receipt for easy returns

[Add to List](#)

Share



APC
by Schneider Electric
Stay connected to work, learn or play


APC UPS Battery Backup and Surge Protector 600VA

Parts List Item #5, Project Box


https://www.amazon.com/Zulkit-Project-Plastic-Electrical-Junction/dp/B07Q11F7DS/ref=sr_1_16?crd=26UU8NX32D2LV&keywords=project+boxes+for+electronics&qid=1648898861&sprefix=project+box%2Caps%2C94&sr=8-16

Purchased 2 times.
Last purchased Jan 13, 2020.
Size: 2.40" x 1.41" x 0.98" | [View order](#)

[Set reminder](#)



Roll over image to zoom in



Zulkit 5Pcs Project Boxes ABS Plastic Electrical Project Case Power Junction Box Black 2.40 x 1.41 x 0.98 inch (61 x 36 x 25 mm)

Visit the Zulkit Store
★★★★☆ 536 ratings
Amazon's Choice for "small plastic project box"

-6% \$7.49
Was: \$7.99

prime & FREE Returns

Coupon Save an extra 5% when you apply this coupon. [Terms](#)

Thank you for being a Prime member. Get a \$100 Gift Card: Pay \$0.00 upon approval for the Amazon Prime Rewards Visa Card. No annual fee.

Size: 2.40" x 1.41" x 0.98"

1.97" x 1.10" x 0.59" \$7.99 prime	2.28" x 1.38" x 0.59" \$7.99 prime
2.40" x 1.41" x 0.98" \$7.49 prime	3.15" x 1.97" x 0.83" \$9.99 prime
3.15" x 1.97" x 1.02" \$8.99 prime	3.54" x 2.76" x 1.10" \$11.99 prime
3.62" x 2.28" x 0.91" \$9.99 prime	3.94" x 2.36" x 0.98"(8 Pieces) \$11.99 prime

Material Acrylonitrile Butadiene Styrene
Brand Zulkit
Color Black

\$7.49

prime & FREE Returns

FREE delivery **Wednesday, April 6**

Deliver to F.E. - Leander 78641

In Stock.

Qty: 1

Add to Cart
Buy Now

Secure transaction

Ships from Amazon
Sold by VeSumly

Return policy: Eligible for Return, Refund or Replacement within 30 days of receipt

Add a gift receipt for easy returns

Add to List

Customer ratings by feature

Value for money ★★★★★ 4.8
Sturdiness ★★★★★ 4.6
Water resistance ★★★★★ 4.4
Weatherproof ★★★★★ 3.7

See all reviews

Share [f](#) [t](#) [p](#)

5% off coupon