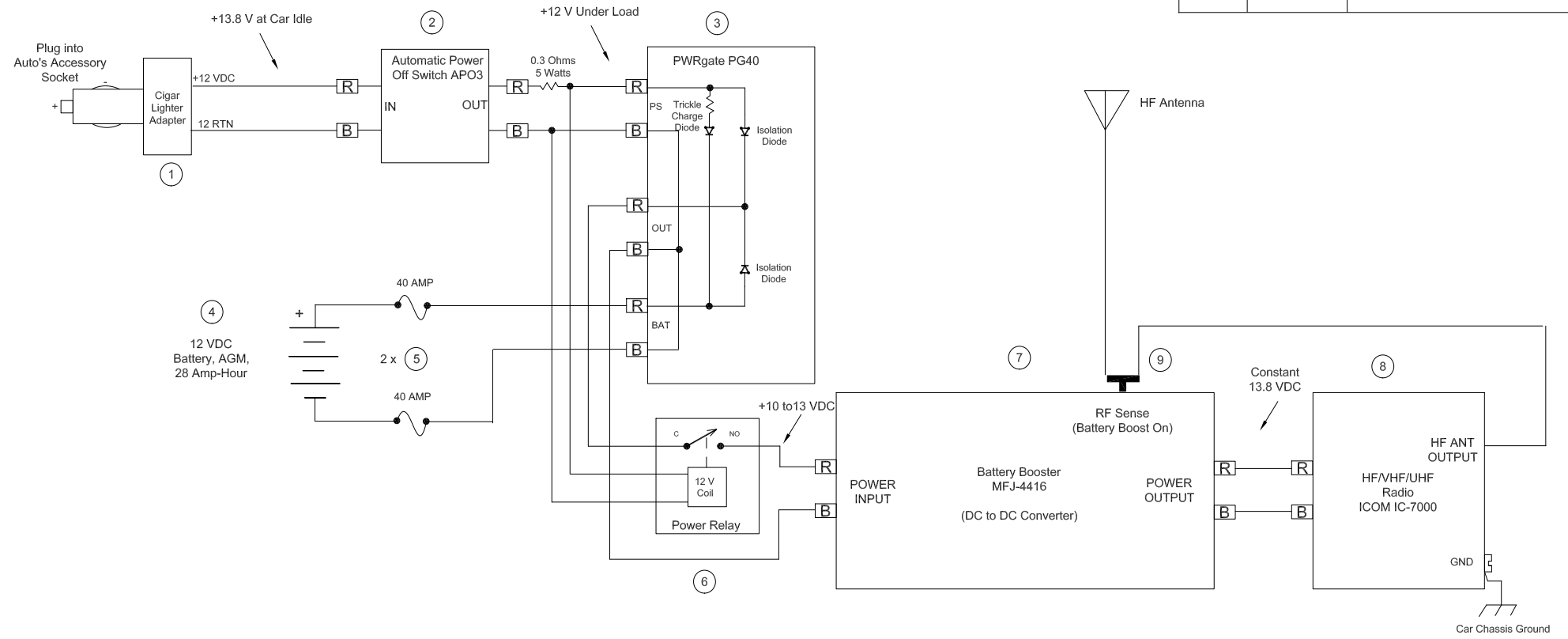


CHANGE HISTORY		
VERSION	DATE	DESCRIPTION
A	10/10/2010	INITIAL RELEASE



ITEM	QTY	DESCRIPTION
10		
9	1	PL-259 Tee Adapter
8	1	HF/VHF/UHF Radio, ICOM IC-7000
7	1	DC-DC Converter, Model MFJ-4416, Super Battery Booster
6	1	Relay, Automobile, 12 VDC, 40 Amp Contacts
5	1	Fuse, 40 Amp, Automobile Style
4	1	Battery, AGM, 12 VDC, 28 Amp-Hour
3	1	PWRgate, Model PG40, West Mountain Radio
2	1	Automatic Power Off Switch, Model APO3, Powerwerx
1	1	Cigar lighter adapter to Power Pole

K5PA Design Concepts
<http://www.k5pa.com>

TITLE
Mobile Power Supply Interconnect

SIZE A2	CAGE CODE	DWG NO 6000-0001	REV A
SCALE 10/10/2010	SHEET 1 of 1		

Symbols Used

[R] Power Pole Connector, Red, Positive Lead

[B] Power Pole Connector, Black, Negative Lead

F
E
D
C
B
A

8 7 6 5 4 3 2 1

8 7 6 5 4 3 2 1