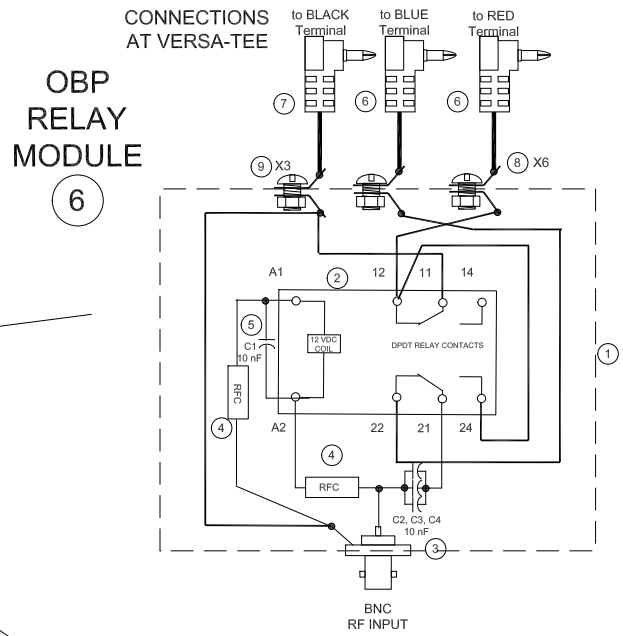
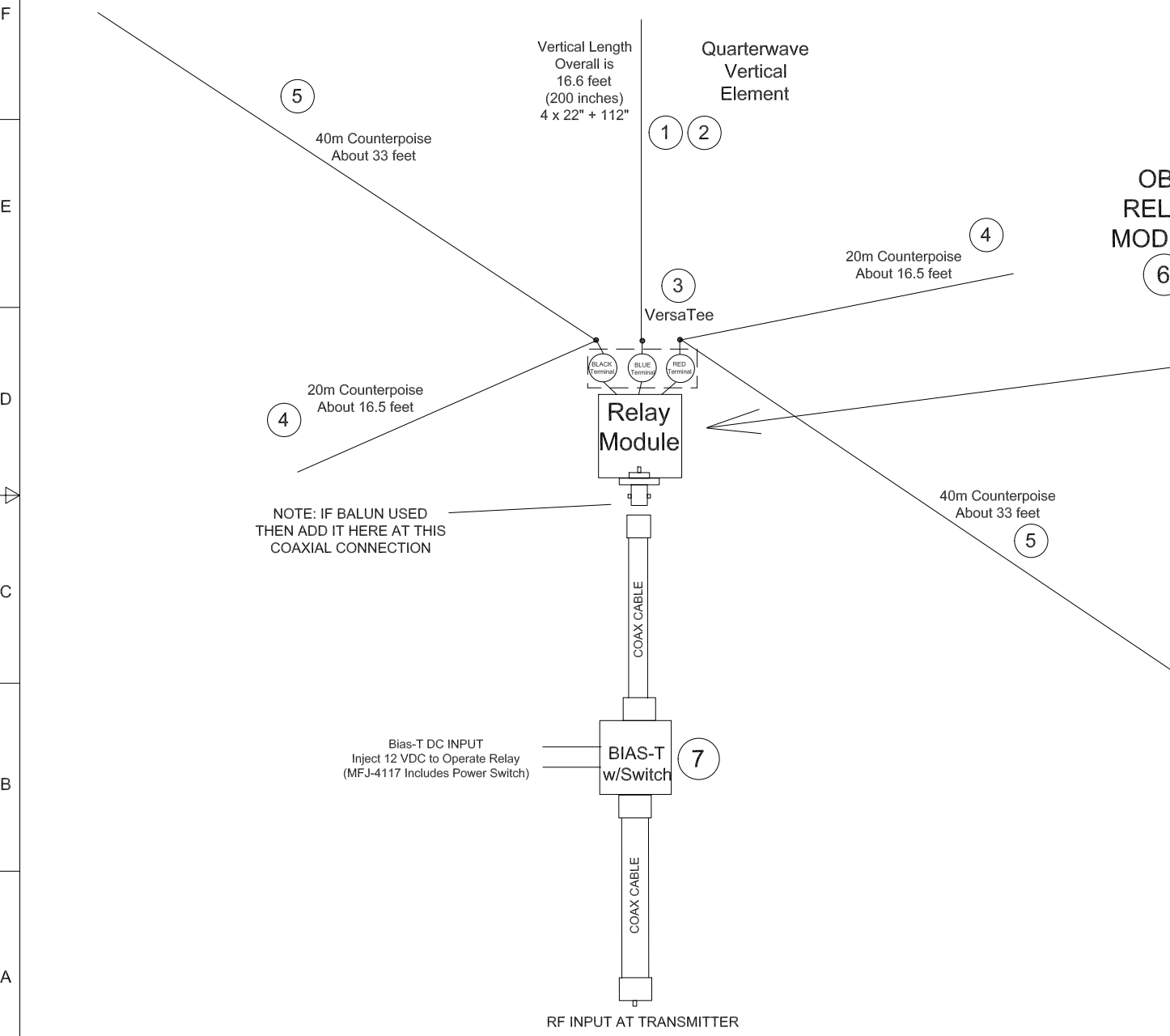


CHANGE HISTORY		
VERSION	DATE	DESCRIPTION
A	12/7/2015	INITIAL RELEASE
B	6/21/2017	Tri-Band Version
C1	7/1/2017	Changed quantity to 4 for the arms, Added BNC Connector
D-D4	7/17/2017	Updated/Corrected Parts List



ITEM	QTY	DESCRIPTION
9	1	16 Ft. Mast (Buddipole P/N BML)
8	1	Tripod mount (Buddipole P/N BPT)
7	1	BIAS TEE DC POWER INJECTOR, MFJ-4117
6	1	Relay Module, See Drawing P/N 4000-0025
5	2	33 Ft., FLEXWEAVE, #12 AWG, Black PVC, Wireman 545
4	2	16.5 Ft., FLEXWEAVE, #12 AWG, Black PVC, Wireman 545
3	1	VersaTee, (Buddipole, P/N VTE)
2	1	Long Telescopic Whip (Buddipole, P/N LTW)
1	4	Accessory Antenna Arm, 22" (Buddipole, P/N XAA)

K5PA Design Concepts

TITLE
Optimal Buddipole 40/20/15m Switch Matrix

SIZE A2	CAGE CODE	DWG NO 4000-0013	REV D4
SCALE	SHEET 1 of 1		

gh 7/17/2017