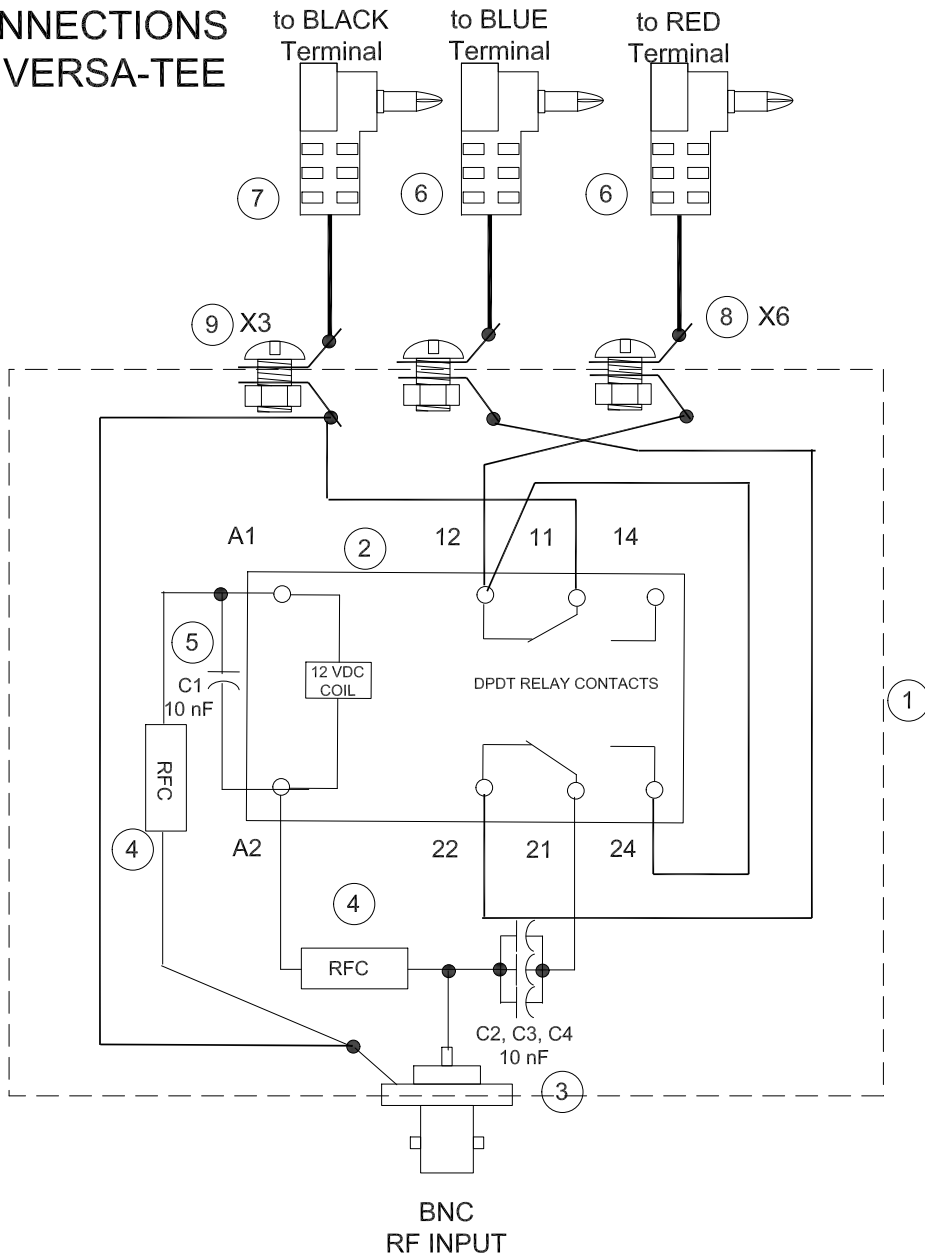


CONNECTIONS AT VERSA-TEE



CHANGE HISTORY		
VERSION	DATE	DESCRIPTION
A	7/7/2017	INITIAL RELEASE
C	7/17/2017	Added Wiring Details

9	3	#6 x 3/4" SS Bolt with #6 Locking SS Nut
8	6	Solder lug, #6
7	1	Buddipole, Mini Banana Plug, Black-9 inch length, Cut Off Ring Lug and Solder to Solder Terminal
6	2	Buddipole, Mini Banana Plug, Red-9 inch length, Cut Off Ring Lug and Solder to Solder Terminal
5	4	CAP, 0.01 uF, 2KV, Murata DEBF33D103ZA3B
4	2	RF CHOKE, Bourns JW Miller, P/N 5240-RC
3	1	BNC Chassis Mount, Nut, Vitelec VB1094, Mouser 530-VB1094
2	1	Relay, DPDT, 12VDC, Finder P/N 44.62.9.012.0000, or Equiv.
1	1	Case, ABS, Economical Type 3.3x2.2x0.9" Black Hammond 1591XXMSBK, Mouser 546-1591XXMSBK
ITEM	QTY	DESCRIPTION

K5PA Design Concepts			
TITLE OBP Relay Module Wiring			
gh	A2	4000-0025	C
7/17/2017	SCALE	SHEET	1 of 1