

4-Band, End Fed Dipole LNR Model EF-QUAD

February 2016

K5PA
Spyglass Hill Installation

Revision History

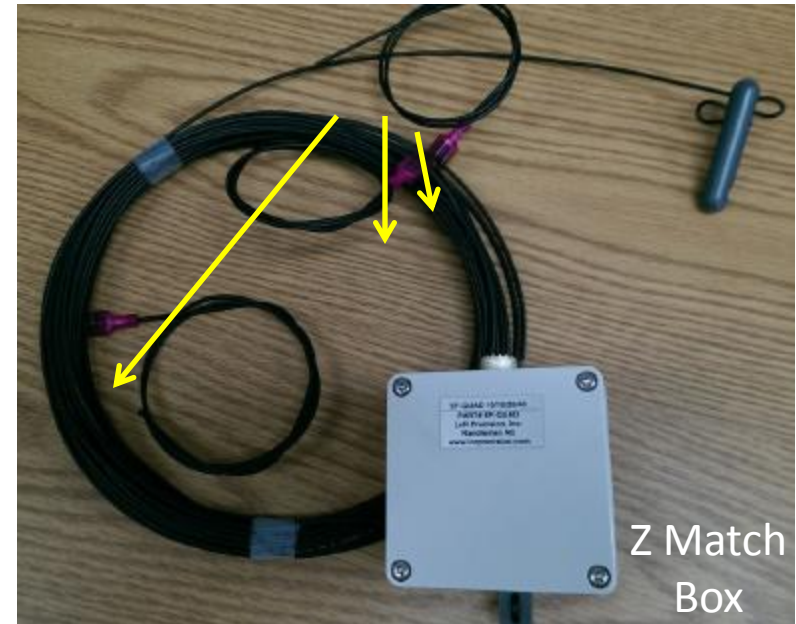
Revision	Date	Comments
0	April 2015	Initial Release
1	February 2016	Corrected antenna drawing lengths using actual measurements including tuning wires

EF-QUAD

20/15/10M
Band Tap,
Drop Wires

Far End
Insulator

- Installed 24 Feet Above Ground
- Using Factory Installed Band Tuning Wire Tails
- Rated 200 W SSB/CW
- Impedance/VSWR Measurements
 - Array Solutions (www.arrayolutions.com), AIM 4170D
 - Software, AIM 885

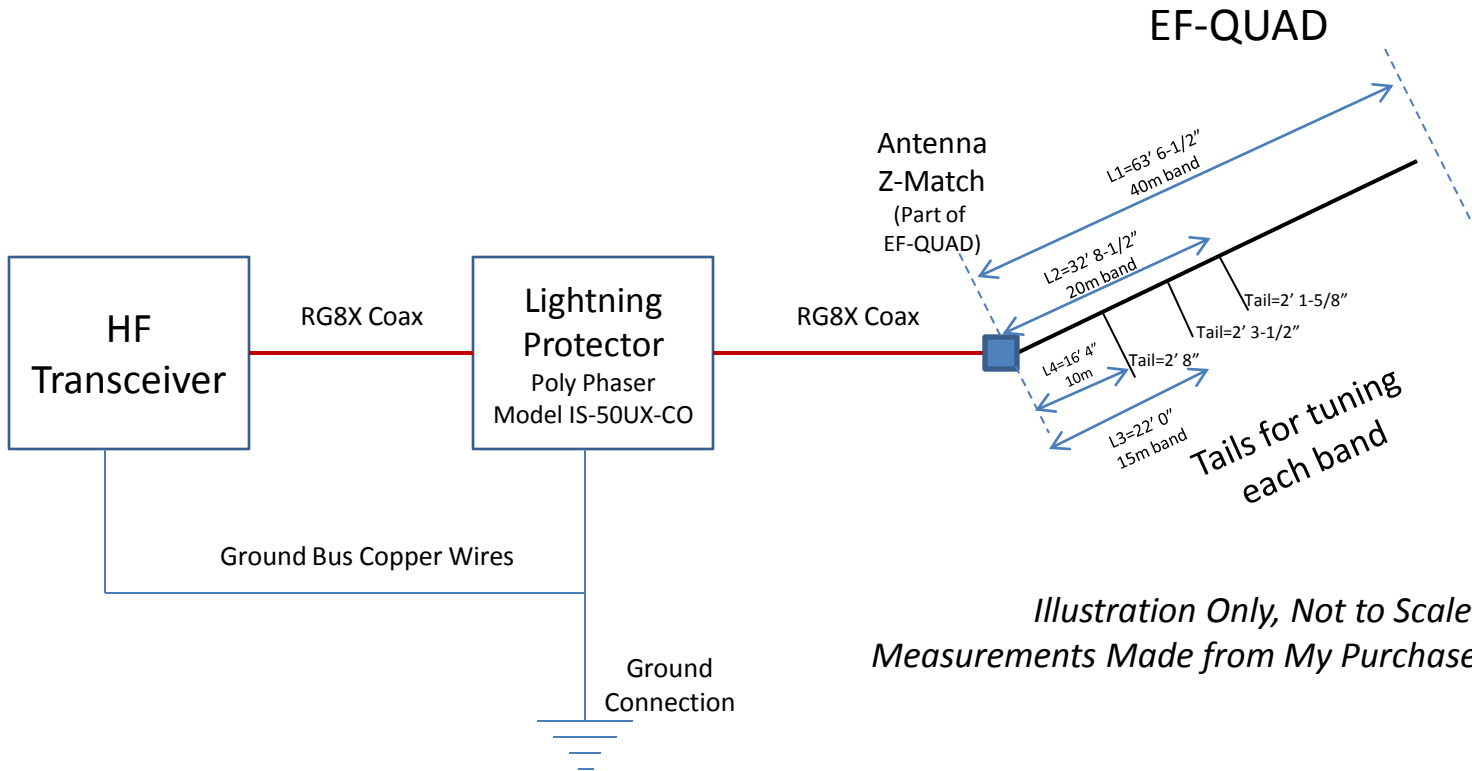


SPECIFICATIONS

Polarity:	Depends on mounting configuration
Design Z:	50 Ohms
V.S.W.R. Bandwidth 40M:	300KHz 1.5:1
V.S.W.R. Bandwidth 20M:	350KHz 1.5:1
V.S.W.R. Bandwidth 15M:	450KHz 1.5:1
V.S.W.R. Bandwidth 10M:	500KHz 1.5:1
Power Handling:	200W SSB/ CW 50W A.M.
Weight:	2 lbs.
Length:	65"
Hardware:	Stainless Steel
Connector:	Silver/Teflon SO-239
Radiator	#18 black polyethylene coated copper-clad Wireman #532

Schematic

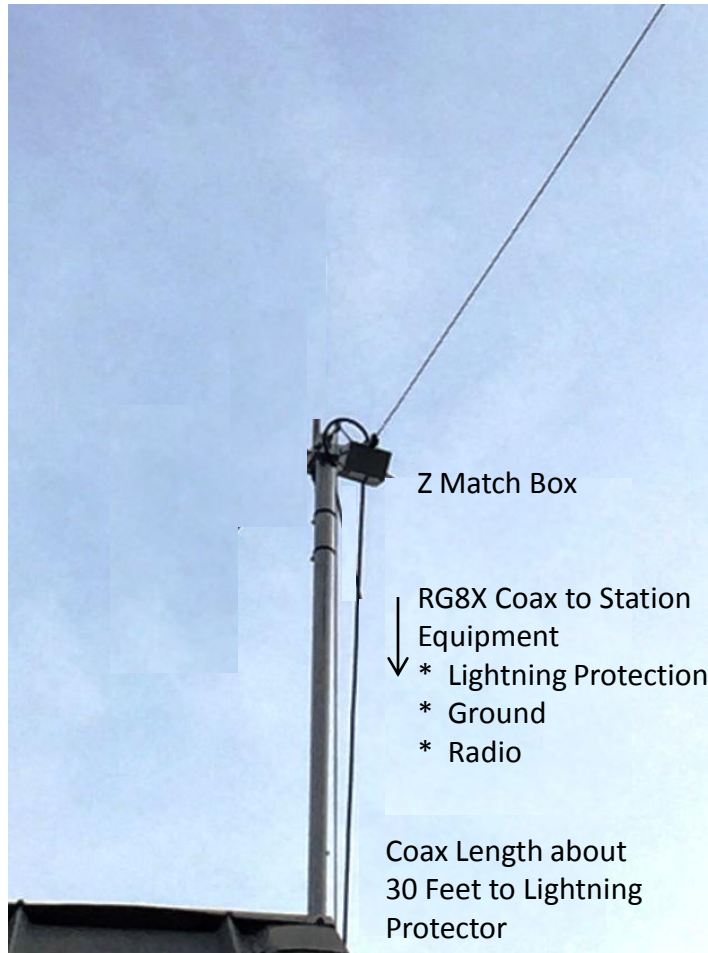
40/20/15/10 Meter Antenna



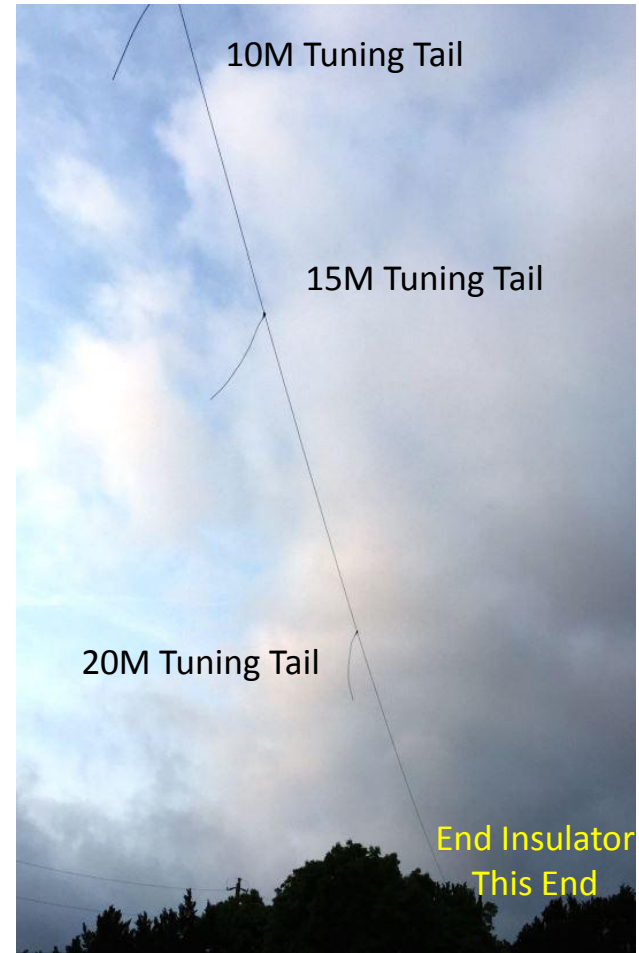
*Illustration Only, Not to Scale.
Measurements Made from My Purchased Antenna.*

EF-QUAD

K5PA's Spyglass Hill Installation



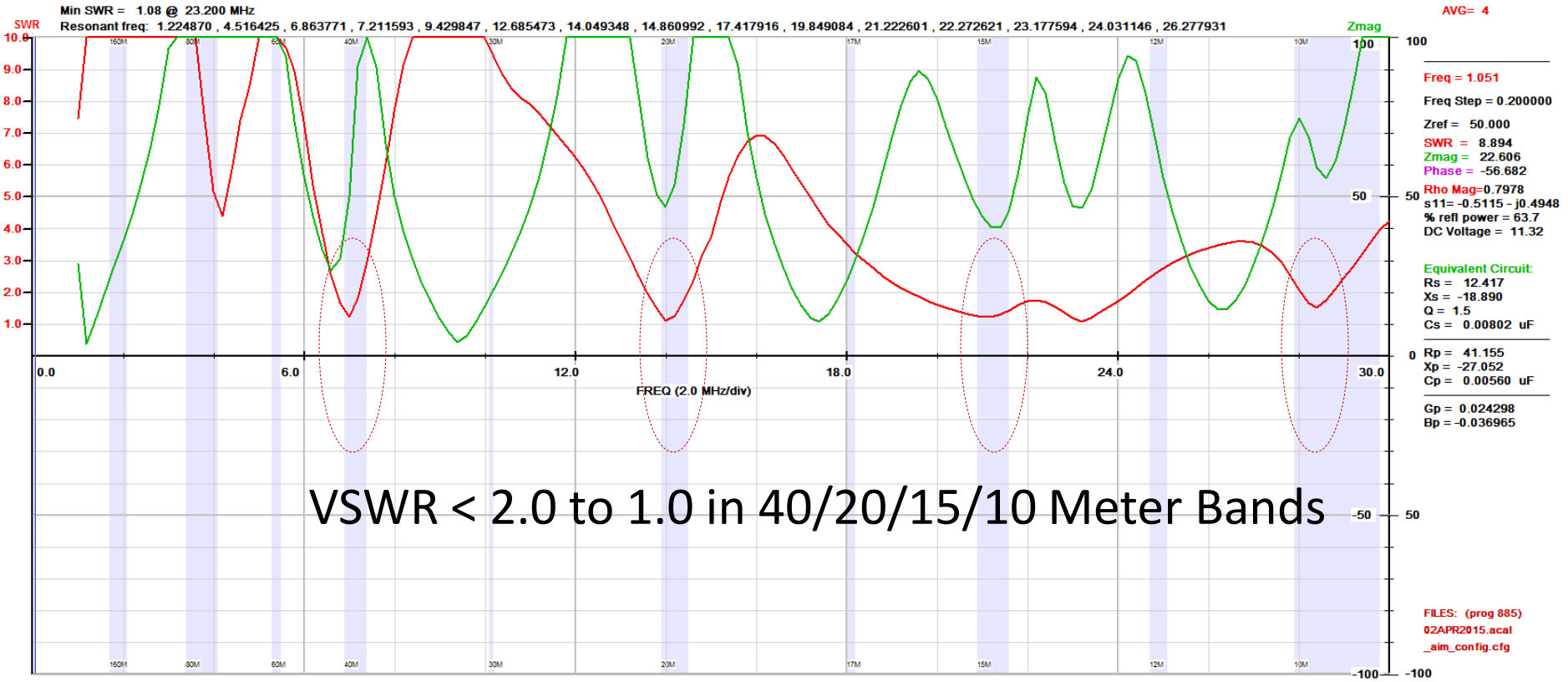
Z Match Box This End



3-30 MHz Z/VSWR Sweep

40/20/15/10 Meter End Fed Dipole

Model # EF-QUAD



VSWR < 2.0 to 1.0 in 40/20/15/10 Meter Bands

Mounted Horizontal, Height 24 Feet Above Ground